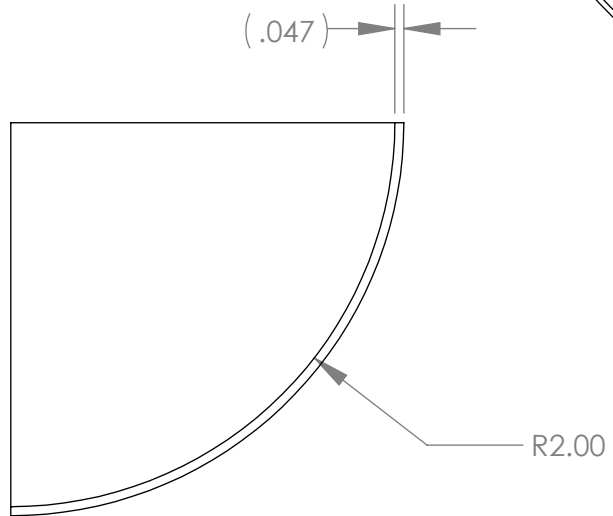
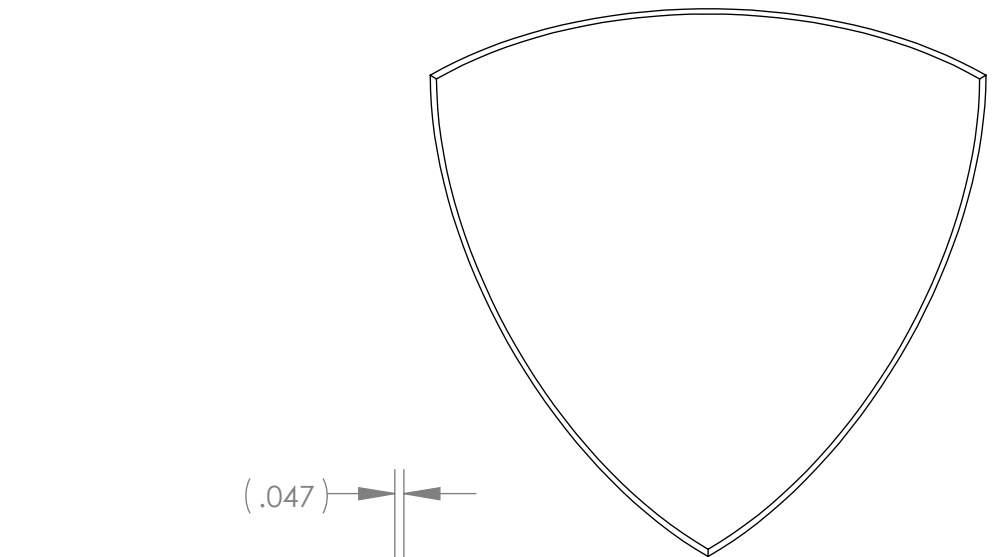
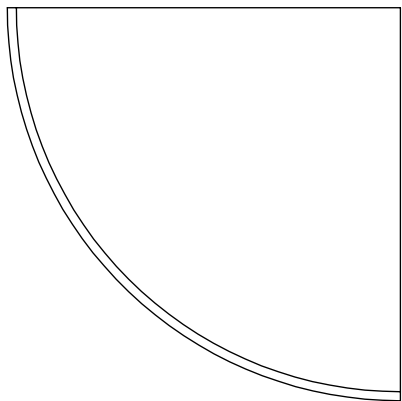
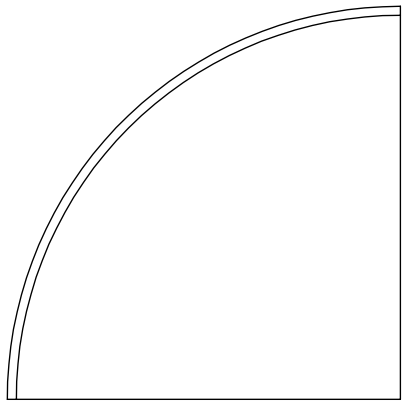


THE INFORMATION CONTAINED IN THIS DRAWING IS THE SOLE PROPERTY OF CORNERFILL®. ANY REPRODUCTION IN PART OR WHOLE WITHOUT THE WRITTEN PERMISSION OF CORNERFILL® IS PROHIBITED.

D
C
B
A



D
C
B
A

NOTES: 1. AVAILBLE AT WWW.CORNERFILL.COM

UNLESS OTHERWISE SPECIFIED
DIMENSIONS ARE IN INCHES
TOLERANCES ARE:
FRACTIONS DECIMALS ANGLES
±1/16 .XX ±.03 ± 1°
.XXX ±.010

CAD GENERATED DRAWING,
DO NOT MANUALLY UPDATE

APPROVALS		DATE
DRAWN	JOHN S.	01-21-2024
CHECKED	JPS	01-21-2024
RESP ENG		
MFG ENG		
QUAL ENG		



WELD IN CORNER 2"
18 GA, 304 CRES

NEXT ASSY	USED ON

MATERIAL
18 GA, 304L CRES
FINISH
TUMBLE DEBURR
DO NOT SCALE DRAWING

SIZE A	DWG. NO. 400503	REV. X1
SCALE	CAD FILE: 400503	SHEET 1 OF 1

8 7 6 5 4 3 2 1

8 7 6 5 4 3 2 1