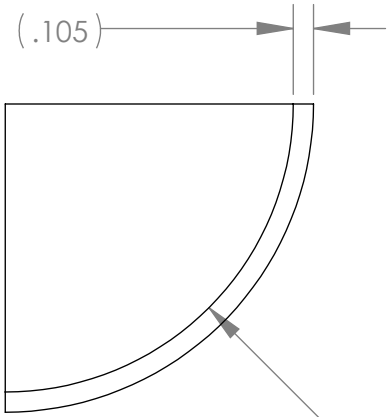
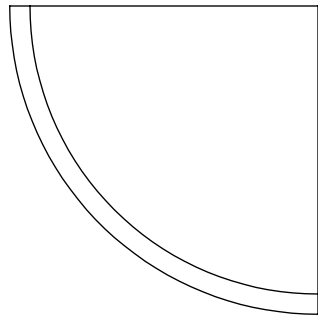
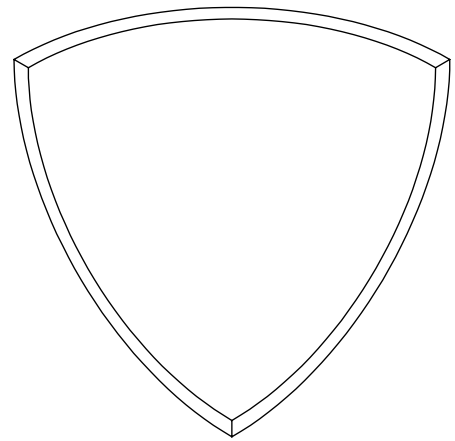
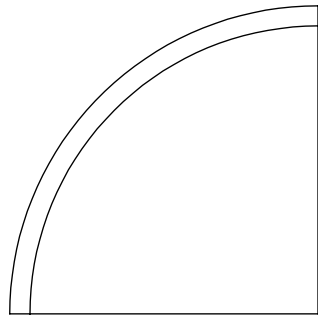


THE INFORMATION CONTAINED IN THIS DRAWING IS THE SOLE PROPERTY OF CORNERFILL®. ANY REPRODUCTION IN PART OR WHOLE WITHOUT THE WRITTEN PERMISSION OF CORNERFILL® IS PROHIBITED.



NOTES: 1. AVAILBLE AT WWW.CORNERFILL.COM

UNLESS OTHERWISE SPECIFIED
DIMENSIONS ARE IN INCHES
TOLERANCES ARE:
FRACTIONS DECIMALS ANGLES
±1/16 .XX ±.03 ± 1°
.XXX ±.010

CAD GENERATED DRAWING.
DO NOT MANUALLY UPDATE



NEXT ASSY	USED ON
APPLICATION	

MATERIAL
12 GA 316 CRES
FINISH
TUMBLE DEBURR
DO NOT SCALE DRAWING

APPROVALS		DATE
DRAWN	JOHN S.	03-06-17
CHECKED	SS	03-06-17
RESP ENG		
MFG ENG		
QUAL ENG		

WELD IN CORNER 1-1/2"		12 GA 316 CRES		REV.
				A
SIZE A	DWG. NO. 350507			
SCALE	CAD FILE:	-350507	SHEET 1 OF 1	