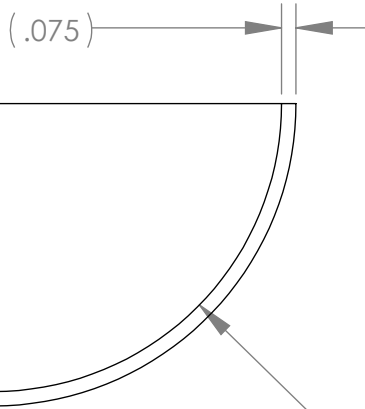
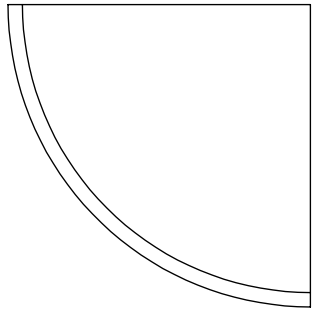
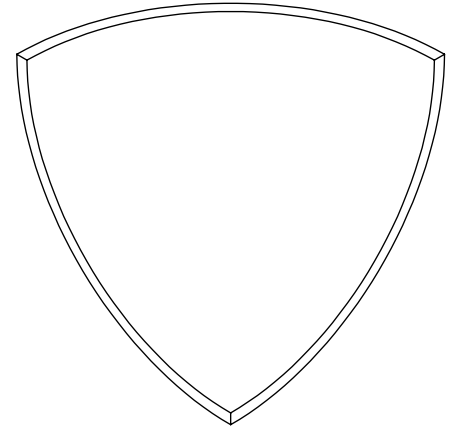
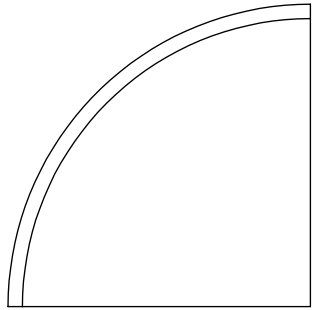



THE INFORMATION CONTAINED IN THIS DRAWING IS THE SOLE PROPERTY OF CORNERFILL®. ANY REPRODUCTION IN PART OR WHOLE WITHOUT THE WRITTEN PERMISSION OF CORNERFILL® IS PROHIBITED.



| | | | | | |
|---|---------|--|----------|--|--|
| UNLESS OTHERWISE SPECIFIED DIMENSIONS ARE IN INCHES TOLERANCES ARE: FRACTIONS DECIMALS ANGLES ±1/16 .XX ±.03 ± 1° .XXX ±.010 | | CAD GENERATED DRAWING. DO NOT MANUALLY UPDATE | |  WELD IN CORNER 1-1/2" 14 GA 316 CRES | |
| | | APPROVALS DATE | | | |
| | | DRAWN JOHN S. | 01-06-17 | SIZE A DWG. NO. 350505 REV. A SCALE CAD FILE: -350505 SHEET 1 OF 1 | |
| | | CHECKED SS | 01-07-17 | | |
| | | RESP ENG | | | |
| | | MFG ENG | | | |
| NEXT ASSY | USED ON | FINISH | QUAL ENG | | |
| | | TUMBLE DEBURR | | | |
| APPLICATION | | DO NOT SCALE DRAWING | | | |

NOTES: 1. AVAILBLE AT WWW.CORNERFILL.COM