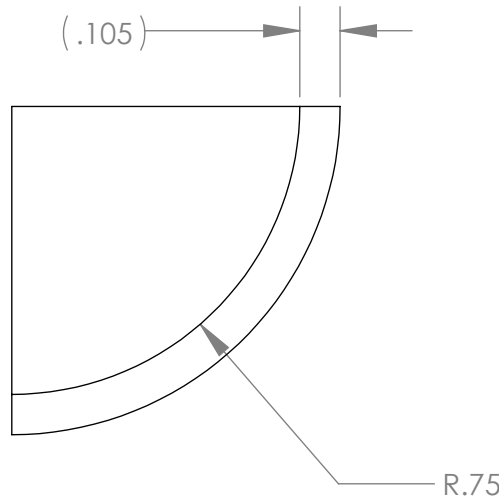
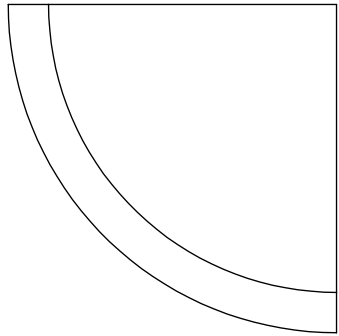
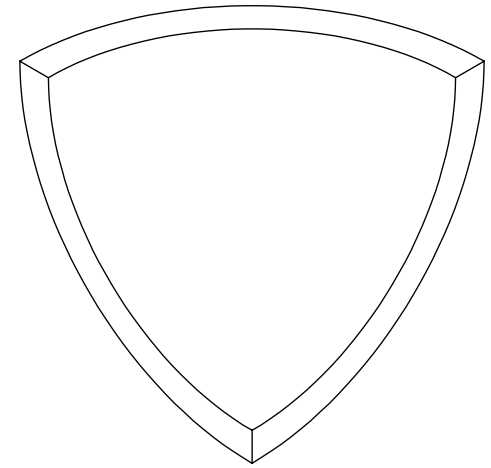
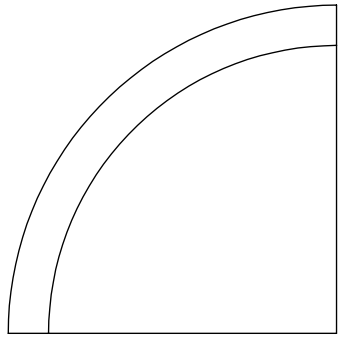


THE INFORMATION CONTAINED IN THIS DRAWING IS THE SOLE PROPERTY OF CORNERFILL®. ANY REPRODUCTION IN PART OR WHOLE WITHOUT THE WRITTEN PERMISSION OF CORNERFILL® IS PROHIBITED.



UNLESS OTHERWISE SPECIFIED
DIMENSIONS ARE IN INCHES
TOLERANCES ARE:
FRACTIONS DECIMALS ANGLES
±1/16 .XX ±.03 ± 1°
.XXX ±.010

CAD GENERATED DRAWING,
DO NOT MANUALLY UPDATE

APPROVALS DATE

DRAWN JOHN S. 03-06-17

CHECKED SS 03-06-17

RESP ENG

MFG ENG

QUAL ENG



**WELD IN CORNER 3/4"
12 GA 316 CRES**

SIZE DWG. NO. REV.
A 200407 A

SCALE CAD FILE: -200407 SHEET 1 OF 1

NOTES: 1. AVAILBLE AT WWW.CORNERFILL.COM

NEXT ASSY	USED ON
APPLICATION	DO NOT SCALE DRAWING

MATERIAL
12 GA 316 CRES
FINISH
TUMBLE DEBURR