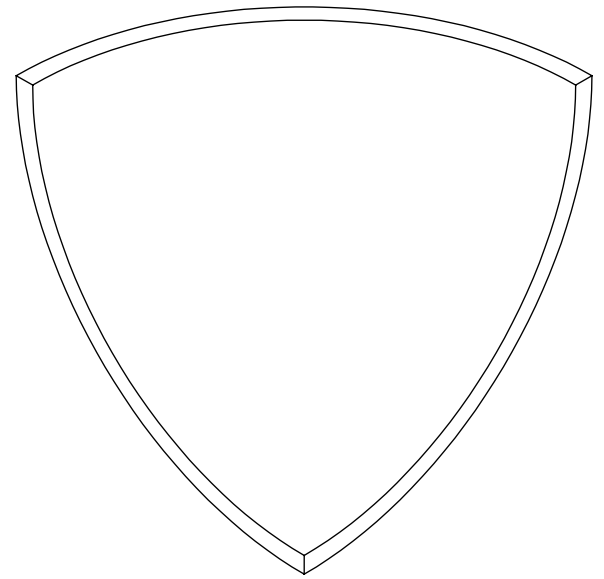
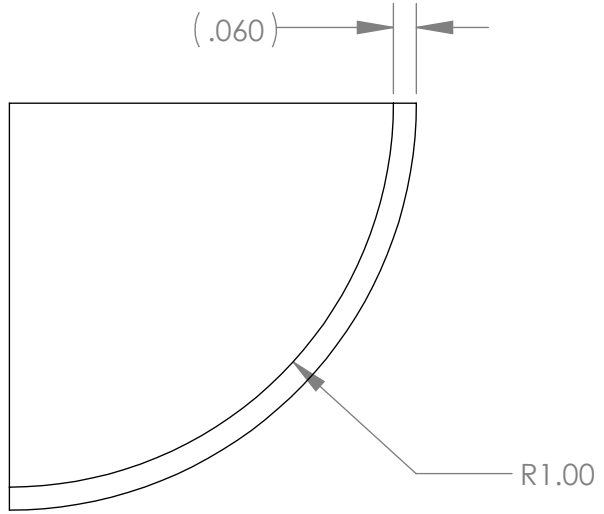
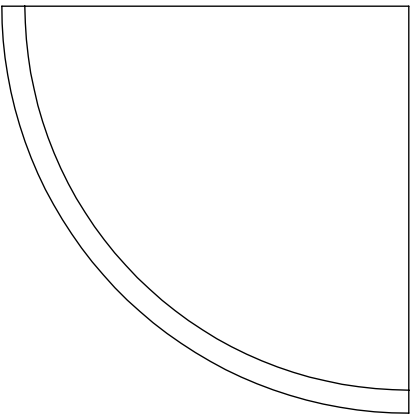
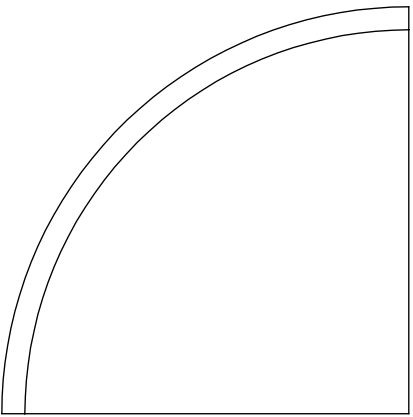


THE INFORMATION CONTAINED IN THIS DRAWING IS THE SOLE PROPERTY OF CORNERFILL®. ANY REPRODUCTION IN PART OR WHOLE WITHOUT THE WRITTEN PERMISSION OF CORNERFILL® IS PROHIBITED.

D  
C  
B  
A



D  
C  
B  
A

NOTES: 1. AVAILBLE AT WWW.CORNERFILL.COM

UNLESS OTHERWISE SPECIFIED  
DIMENSIONS ARE IN INCHES  
TOLERANCES ARE:  
FRACTIONS DECIMALS ANGLES  
±1/16 .XX ±.03 ± 1°  
.XXX ±.010

CAD GENERATED DRAWING,  
DO NOT MANUALLY UPDATE

APPROVALS		DATE
DRAWN	JOHN S.	01-06-17
CHECKED	SS	01-07-17
RESP ENG		
MFG ENG		
QUAL ENG		



**WELD IN CORNER 1.0"**  
**.06 THK ALUM**

NEXT ASSY	USED ON

MATERIAL  
.06 5052-H32 ALUM  
FINISH  
TUMBLE DEBURR  
DO NOT SCALE DRAWING

SIZE	DWG. NO.	REV.
A	100904	A
SCALE	CAD FILE:	SHEET 1 OF 1

8 7 6 5 4 3 2 1