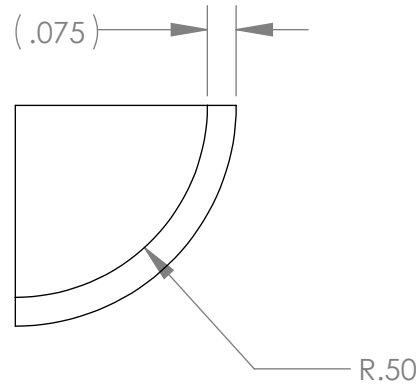
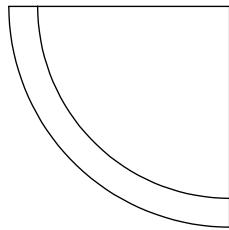
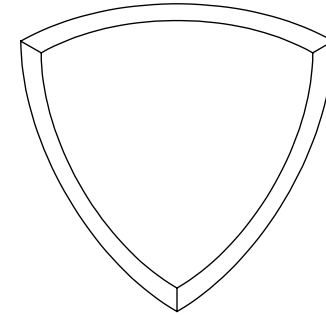
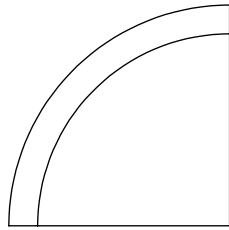


THE INFORMATION CONTAINED IN THIS DRAWING IS THE SOLE PROPERTY OF CORNERFILL®. ANY REPRODUCTION IN PART OR WHOLE WITHOUT THE WRITTEN PERMISSION OF CORNERFILL® IS PROHIBITED.



NOTES: 1. AVAILBLE AT WWW.CORNERFILL.COM

UNLESS OTHERWISE SPECIFIED
DIMENSIONS ARE IN INCHES
TOLERANCES ARE:
FRACTIONS DECIMALS ANGLES
±1/16 .XX ±.03 ± 1°
.XXX ±.010

CAD GENERATED DRAWING,
DO NOT MANUALLY UPDATE

APPROVALS DATE

DRAWN JOHN S. 01-06-17

CHECKED SS 01-07-17

RESP ENG

MFG ENG

QUAL ENG



WELD IN CORNER 1/2"
14 GA CRS

SIZE A	DWG. NO. 050205	REV. A
SCALE	CAD FILE: -050205	SHEET 1 OF 1

NEXT ASSY	USED ON
APPLICATION	DO NOT SCALE DRAWING

MATERIAL
14 GA CRS

FINISH
TUMBLE DEBURR